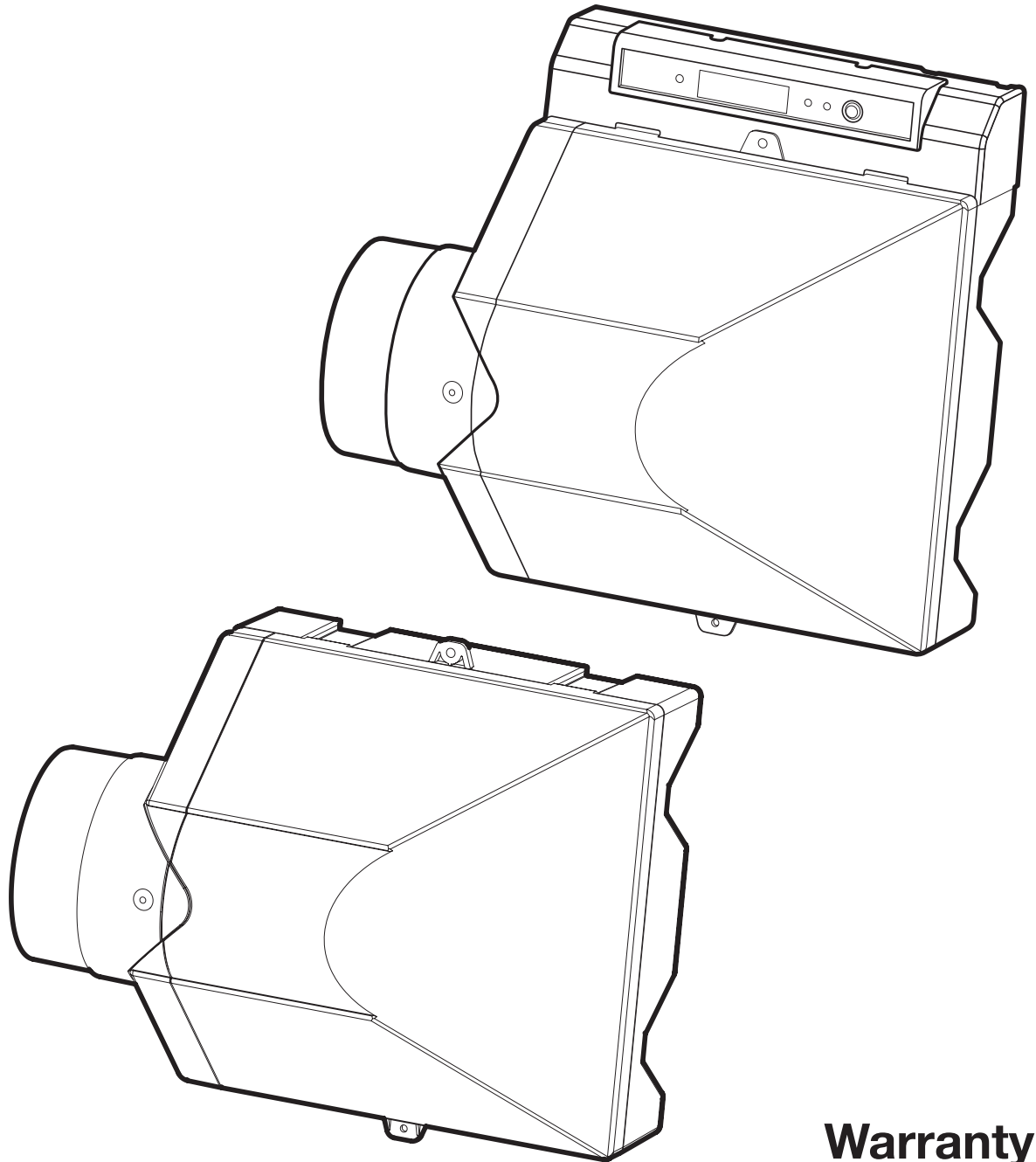


FLOW-THROUGH  
**FURNACE  
HUMIDIFIER**

*Model 5000/6000*



**Warranty  
Maintenance  
Troubleshooting Guide**

# LIMITED WARRANTY

**WHAT THIS WARRANTY COVERS:** This product is warranted against defects in workmanship and/or materials.

**HOW LONG THIS WARRANTY LASTS:** This warranty extends only to the original purchaser of the product and lasts for three (3) years from the date of original purchase or until the original purchaser of the product sells or transfers the product, whichever first occurs.

**WHAT AIR KING WILL DO:** Air King will, at its sole option, repair or replace any part or parts that prove to be defective or replace the whole product with the same or comparable model. For all warranty claims, the product must be returned to Air King at customer expense with proof of purchase within the warranty period. Contact the Air King customer service department to obtain a Return Authorization ("RA"). DO NOT return products without an RA or the warranty claim will not be processed.

**WHAT THIS WARRANTY DOES NOT COVER:** This warranty does not apply if the product was damaged or failed because of accident, improper handling or operation, shipping damage, abuse, misuse, unauthorized repairs made or attempted, or the use of the product for commercial or nonresidential service. This warranty does not cover shipping costs for the return of products to Air King for repair or replacement. Air King will pay return shipping charges from Air King following warranty repairs or replacement **ANY AND ALL WARRANTIES, EXPRESSED OR IMPLIED (INCLUDING, WITHOUT LIMITATION, ANY IMPLIED WARRANTY OF MERCHANTABILITY), LAST THREE YEARS FROM THE DATE OF ORIGINAL PURCHASE OR UNTIL THE ORIGINAL PURCHASER OF THE PRODUCT SELLS OR TRANSFERS THE PRODUCT, WHICHEVER FIRST OCCURS AND IN NO EVENT SHALL AIR KING'S LIABILITY UNDER ANY EXPRESS OR IMPLIED WARRANTY INCLUDE (I) INCIDENTAL OR CONSEQUENTIAL DAMAGES FROM ANY CAUSE WHATSOEVER, OR (II) REPLACEMENT OR REPAIR OF ANY HOUSE FUSES, CIRCUIT BREAKERS OR RECEPTACLES. NOTWITHSTANDING ANYTHING TO THE CONTRARY, IN NO EVENT SHALL AIR KING'S LIABILITY UNDER ANY EXPRESS OR IMPLIED WARRANTY EXCEED THE PURCHASE PRICE OF THE PRODUCT AND ANY SUCH LIABILITY SHALL TERMINATE UPON THE EXPIRATION OF THE WARRANTY PERIOD. THIS WARRANTY DOES NOT COVER ANY LABOR OR SHIPPING COSTS, OR THE COST OF REPLACEMENT COMPONENTS AS PART OF ROUTINE MAINTENANCE (SUCH AS FLOW THROUGH HUMIDIFIER EVAPORATOR PADS, INLET WATER FILTERS, ORIFICE FITTINGS).**

Some states and provinces do not allow limitations on how long an implied warranty lasts, or the exclusion or limitation of incidental or consequential damages, so these exclusions or limitations may not apply to you. This warranty gives you specific legal rights. You may also have other rights which vary from state to state and province to province. Proof of purchase is required before a warranty claim will be accepted.

## CUSTOMER SERVICE:

Toll-Free (800) 465-7300 [www.airkinglimited.com](http://www.airkinglimited.com)

Our Customer Service team is available to assist you with product and service questions, and replacement parts. They can be reached Monday through Friday, 8am-3:30pm Eastern. Please have your model number available. Please do not send product to this location)

SAVE THIS DOCUMENT AND ATTACH YOUR RECEIPT

_____	_____
Date of Purchase	Date of Installation
_____	_____
Place of Purchase	Brand and Model#

For warranty replacement and or technical support, email a copy of your proof of purchase to [service2@airkinglimited.com](mailto:service2@airkinglimited.com) along with your name, address, phone number and a brief description of the problem. In order to assist us in servicing you, include pictures to help identify component parts or installation issues.

## OPERATING LIGHTS

**Green Humidisense LED:** Model 5000 & 6000: This indicates the humidisense control has sensed the required air flow and temperature rise and the humidistat is calling for humidity. Water should be flowing if the LED is lit, no water should flow if this light is off (Figure 1A).

**Main Power LED:** Model 6000 only. This indicates that the power to the digital top panel is turned on (Figure 1B).

**Board Power LED:** Model 5000 and 6000, this indicates that 24 Volts is present at the two 24 VAC IN terminals (Figure 1C).

## TROUBLE SHOOTING

**Humidifier does not turn ON when furnace is in heating or is inconsistent in cycling with the furnace heating cycles. Furnace is running, power is connected, humidistat is turned up (board power LED is lit) but the green humidisense LED does not light and water does not flow.**

This is an indication that the furnace is not providing the required airflow or temperature rise to activate the humidifier. You can complete a quick test to ensure the humidifier's components and electronics are functioning.

Locate the Humidisense Bypass terminals on the humidifier's side panel (Figure 2A) and install a jumper wire across bypass terminals #3 and #4 (Figure 2B). Change all the DIP switches to the ON position (Figure 2C) and set the humidistat to highest setting. The humidifier should turn ON, the green humidisense LED should light and water will flow.

- If the green LED does not light and water does not flow during the test, there is something wrong with the transformer, humidistat or the humidisense control. Contact us for warranty and or technical help.
- If the green LED lights but water does not flow during this test, there is something wrong with the water supply, the solenoid valve or the orifice fitting is blocked. Check to make sure the water supply is turned on, check the orifice fitting and inlet water filter to try and remove any blockage. If water still will not flow, contact us for warranty and or technical help.
- If the green LED lights and water flows during this test, you should complete one of the Humidisense Bypass installations (see next section).

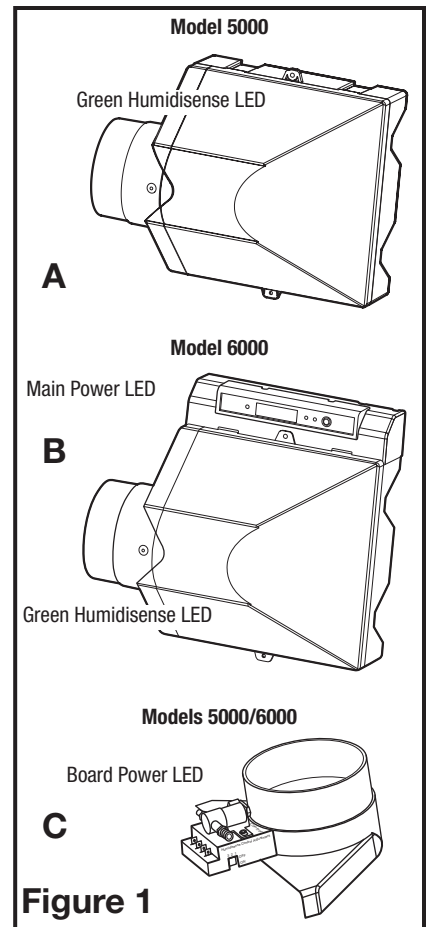


Figure 1

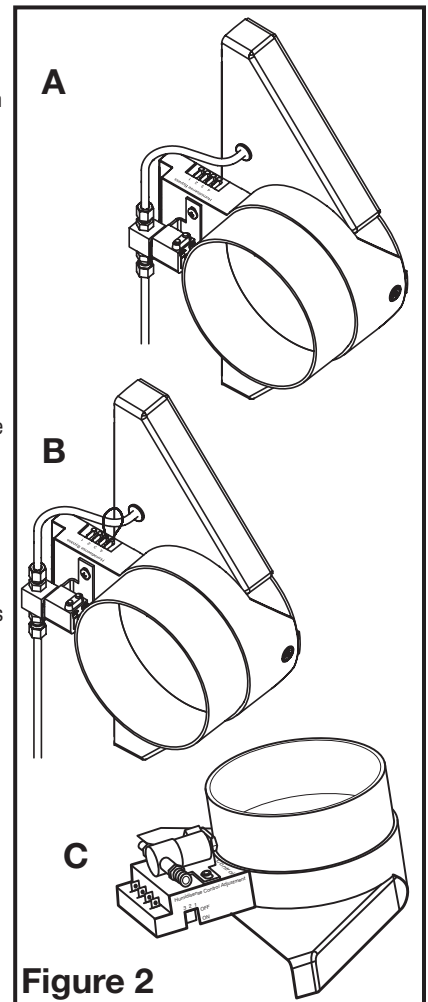


Figure 2

## HUMIDISENSE BYPASS INSTALLATION

**EXTERNAL SWITCH - AIR PRESSURE SWITCH** (Cycles humidifier whenever furnace fan runs and humidistat calls for humidity) (Figure 3).

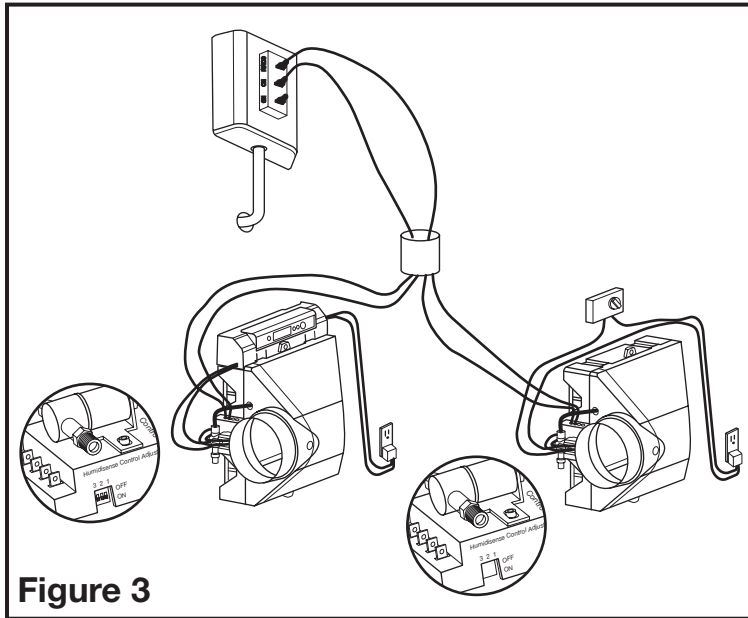


Figure 3

What you will need (sold separately):

1. Pressure switch PS221 (or any differential pressure switch).
2. Length of two conductor solid copper thermostat wire 18 gauge max (available at most hardware stores).
3. Two 1/4" female electrical connectors (available at most hardware stores).
4. Mount the pressure switch on the hot air duct by drilling a small hole close to the pressure switch (large enough for air sampling tube). Attach one end of the air sampling tube to the positive pressure port on the pressure switch and insert the other end into the duct through the hole drilled earlier.
5. Using the two 1/4" electrical connectors and thermostat wire, connect the pressure switch "Common" and "Normally Open" terminals to the "Humidisense Bypass" terminals #3 and #4.
6. Change all the humidifier's DIP switches to the ON position.

## HUMIDISENSE BYPASS INSTALLATION

**Connecting Humidifier to Existing Electronic Thermostat (Figure 4).** This allows the existing electronic thermostat to control humidifier's cycles.

What you will need (sold separately):

1. 24 VAC NO relay, Packard PR380 (or any 24 VAC NO relay).
2. Length of two conductor solid copper thermostat wire 18 gauge max (available at most hardware stores).
3. Four 1/4" female electrical connectors (available at most hardware stores).

### RELAY INSTALLATION

1. Confirm your electronic thermostat is capable of controlling a central humidifier and that it has the necessary two conductor connections for humidity control (confirm this with the thermostat manufacturer).
2. Remove the existing humidistat from the humidifier.

**Model 5000:** Remove the two wires installed on the humidistat terminals.

**Model 6000:** Disconnect the two black transformer wires from the top panel and disconnect the two red wires from the top panel to the humidifier's side panel.

3. Mount the 24 VAC relay close to the humidifier.
4. Connect the humidifier to the 24 VAC relay.

**Model 5000:** Connect the two wires removed from the humidistat in Step 2 to the "Common" and "Normally Open" terminals.

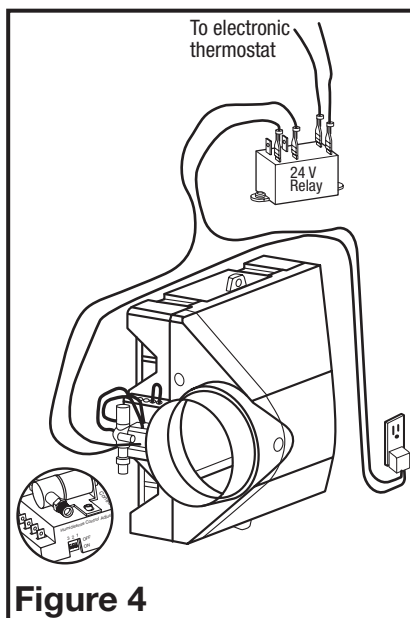


Figure 4

**Model 6000:** Connect the two plug in transformer wires to the humidifier's side panel terminals 24 VAC IN. At the relay separate the plug in transformer wires. Referring to Figure 4, cut one of the wires, strip the ends and using the 1/4" electrical terminals connect to the relay's "Common" & "Normally Open" terminals.

5. Using two 1/4" electrical connectors, connect the coil terminals of the 24 VAC relay to the electronic thermostat's humidity control terminals.
6. At the humidifier, change all the DIP switches to the "ON" position and install a jumper wire across the humidisense bypass terminals #3 and #4.

## HUMIDISENSE BYPASS INSTALLATION

**24 VAC Thermostat Interlock** (Cycles humidifier whenever furnace is in heating mode and humidistat calls for humidity) (Figures 5 and 6).

What you will need (sold separately):

1. Length of two conductor solid copper thermostat wire 18 gauge max (available at most hardware stores).
2. Two 1/4" female electrical connectors (available at most hardware stores).

### 24 VAC INTERLOCK INSTALLATION

1. Consult your furnace's installation manual and/or an HVAC professional. Locate the furnace's control board normally found in the bottom portion of the furnace near the furnace blower.

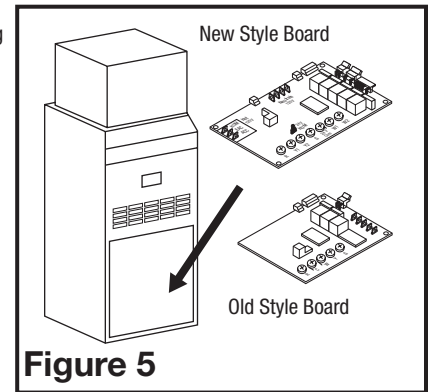


Figure 5

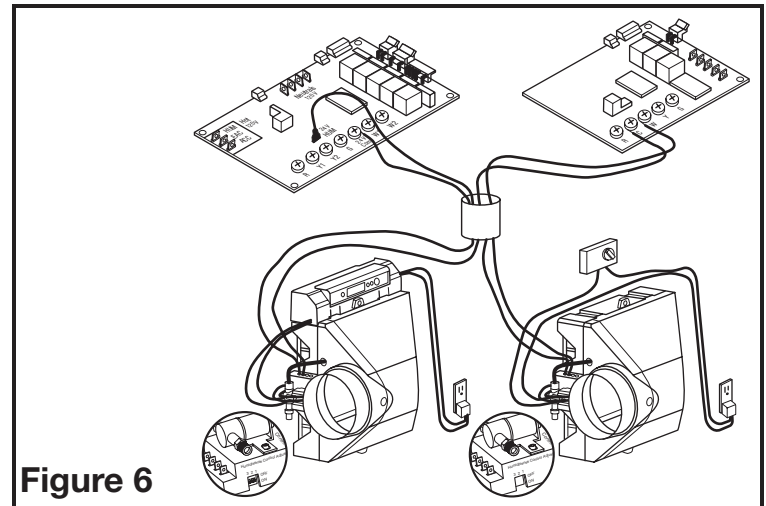


Figure 6

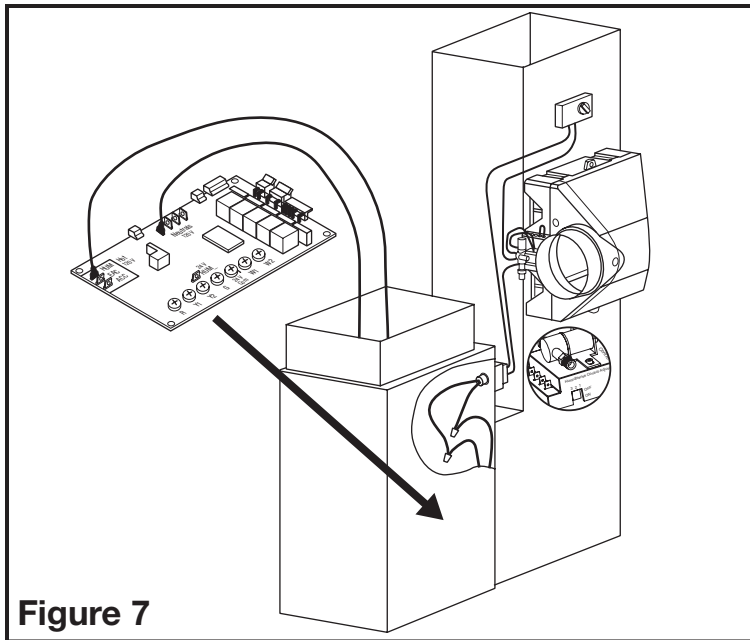
2. Identify the 24 volt terminals which will be energized when the furnace is in heating.
3. On older boards there will be a set of terminals used to connect to the central thermostat, these terminals are usually marked R, C, W, Y, G. On this type of board use the terminals marked C (or Com) & W (or W1).
4. On newer boards there is a dedicated 24 volt humidifier terminal marked HUM or 24V HUM. On this type of board use the 24 V Com & 24 V HUM terminals.
5. If you are unsure consult your furnace's installation instructions and/or an HVAC professional.
6. Once you have identified the proper terminals use the 18 gauge thermostat wire to make the connection from the furnace control board to the humidisense bypass terminals #1 & #2.
7. Change all the DIP switches to the ON position.
8. The humidifier will now cycle whenever the furnace heating relay is energized and the humidistat is calling for humidity.

## HUMIDISENSE BYPASS INSTALLATION

**Hardwired Installation. Traditional Method (Figure 7)** (Model 5000 ONLY, Cycles humidifier whenever the furnace is in heating and the humidistat calls for humidity).

What you will need (sold separately):

1. Hardwire transformer 04A000200 (or other 120 Volt / 24 Volt hardwire transformer).
2. Length of white & black TEW 18 gauge wire (approx. 2ft).
3. Two 1/4" female electrical connectors (available at most hardware stores).
4. Wire Nuts & Electrical Tape.



**Figure 7**

### HARDWIRE TRANSFORMER INSTALLATION

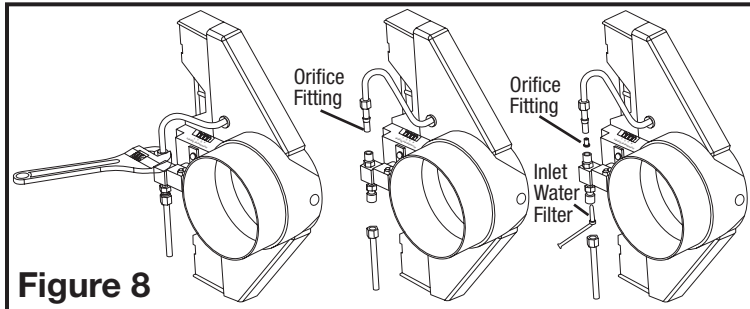
1. Consult your furnace's installation manual and or an HVAC professional, locate the furnace's control board normally found in the bottom portion of the furnace near the furnace blower.
2. Identify the furnace's accessory terminals. There will be one set of terminals marked "NEUTRALS" and another set will be marked HOT, HUM, EAC.
3. If you are unsure consult your furnace's installation instructions and or an HVAC professional.
4. Retrieve the hardwire transformer, at the bottom of the furnace locate an unused electrical knockout, remove the knockout and install and secure the transformer in the knockout. Attach the transformer so the low voltage 24 volt terminals are located on the outside of the furnace.
5. Using the black & white TEW 18 gauge wire and ¼" electrical terminals connect the white wire to one of the "NEUTRAL" terminals on the furnace board. Then connect the black wire to the 120 Volt HUM terminal on the furnace board.
6. Using the wire nuts and electrical tape connect the white & black wires installed in step 5 to the two transformer wires, secure the wire nuts with the electrical tape.
7. At the humidifier, your installation should be as per the installation instructions with the plug in transformer wired to the two terminals marked 24 VAC IN on the humidifier's side panel with the humidistat wired into one of the transformer wires.
8. Retrieve the plug in transformer and cut the wire off at the transformer body. Separate the wires and strip the ends of the wire. Attach the ends of this wire to the 24 Volt terminals on the hardwired transformer installed in steps 5 & 6 above.
9. At the humidifier, change all the DIP switches to the ON position and install a jumper wire across humidisense bypass terminals #3 & #4.

### TROUBLE SHOOTING

**Humidifier seems to operate properly, green humidisense LED comes ON when furnace is in heating and the humidistat is calling for humidity but no water flows or very little water flows.**

This is an indication that there is something wrong with the water supply or there is some sort of blockage in the orifice fitting, inlet water filter or the solenoid valve. Follow the directions below to check the water supply and inspect the orifice fitting & inlet water filter and clear any blockage.

#### Checking Water Supply, Orifice Fitting & Inlet Filter (Figure 8).

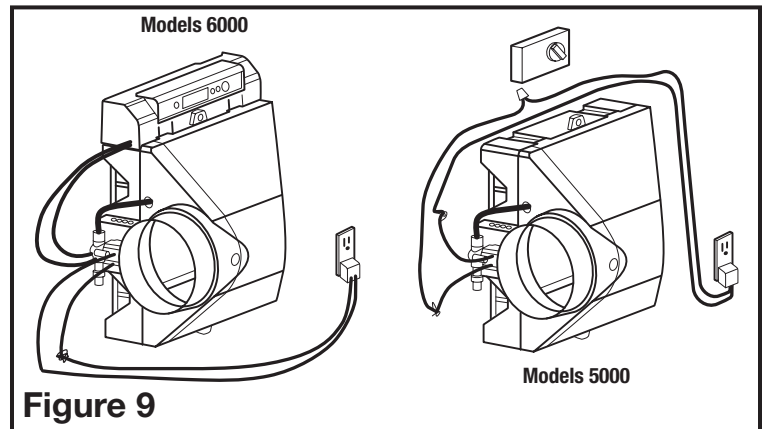


**Figure 8**

1. Close the self-piercing needle valve installed on the cold water pipe, using an adjustable wrench remove the water supply connection from the inlet of the water solenoid valve.

2. Using a bucket to collect the water from the supply tube open the self-piercing needle valve and confirm water is flowing from the water supply tube, if water is not running with the piercing valve open, check your installation of the self-piercing needle valve and correct to get water flowing. If water is flowing from the water supply, move to step 3 below to check inlet water filter and orifice.
3. At the humidifier's side panel, the water supply tube should already be removed, now using an adjustable wrench remove the tube which goes from the solenoid valve outlet to the humidifier's evaporator pad.
4. **CHECKING THE INLET WATER FILTER,** Using something pointy like a nail, reach into the solenoid valve inlet and remove the filter, check for and clear any blockages.
5. **CHECKING THE ORIFICE FITTING,** The orifice is inserted into the tube which was installed on the solenoid valve outlet. It is press fit in place, remove the orifice and inspect. There is a very small pin sized hole in this fitting, if it is blocked try to clear it using a pin or other method. **DO NOT** drill this hole larger the purpose of the orifice is to protect against water blowing off the evaporator pad into the furnace as well as to limit the amount of water flowing to the drain. If you are unable to clear the orifice replace it, consult the parts diagram for the part number.
6. If after checking the water supply, inlet water filter and the orifice fitting there is still no water supply the solenoid valve is malfunctioning.
7. Check to ensure that the two water solenoid valve wires are connected properly to the two terminals marked 24 VAC OUT on the humidifier's side panel.
8. If after checking the water supply, inlet water filter, orifice fitting and water solenoid valve there is still no water flow you will require a replacement solenoid valve assembly, consult parts diagram for the part number.

**NOTE:** Before replacing the solenoid valve which is an expensive component complete a quick test below to ensure the problem is not the voltage supply from the humidity control. Follow the directions below.



**Figure 9**

**Solenoid Valve Quick Test (Figure 9).** (Connect the plug in transformer directly to the solenoid valve to see if the valve will open and let water flow.)

1. Unplug the transformer.
2. **MODEL 5000:** Take the humidistat out of the circuit, remove the two terminals from the humidistat control and temporarily connect these two wires together (secure with electrical tape). At the humidifier's side panel, Remove the two wires from the two terminals marked 24 VAC IN & remove the two solenoid valve wires from the two terminals marked 24 VAC OUT. Temporarily connect the transformer wires directly to the solenoid valve wires (use electrical tape to secure). Plug the transformer back in, if the water still does not flow you need to replace the water solenoid valve, if water now flows you need a new humidistat, check the parts list for the correct part number.
3. **MODEL 6000:** Take the digital humidistat out of the circuit, disconnect the two black transformer wires from the top panel. At the humidifier's side panel remove the solenoid valve wires from the two terminals marked 24 VAC OUT. Temporarily connect the transformer wires directly to the solenoid valve wires (use electrical tape to secure). Plug the transformer back in, if the water still does not flow you need to replace the water solenoid valve, if water now flows you need a new digital top panel, check parts list for the correct part number.

### TROUBLE SHOOTING

**Not Enough Humidity. Humidifier Operates properly with furnace heating cycles, water flows but the humidity level is not increasing.**

In Canada homes built since the year 2000 are designed to reduce moisture to protect against condensation damage this is accomplished by introducing fresh outdoor air into the home most often through the forced air heating system return duct. If you are seeing consistently low humidity readings after several weeks of operation consider moving the humidity control from the current location. On Model 5000 you can try locating the humidistat in another location on the duct or in the living space. On model 6000 you can purchase a remote sensor with 25 ft of wire (PN 010266001) to locate the sensor elsewhere in the duct or living space. An optional



electronic digital humidistat with manual or automatic mode operation using an outdoor air sensor is available for use on Model 5000 or 6000. You can purchase this through our parts supplier PN EDH5-6K. This control can automatically set humidity levels based on outdoor conditions and the control can be located on the duct or in the living space.

#### EXTERNAL FACTORS WHICH WILL AFFECT INTERNAL HUMIDITY LEVELS.

1. **Sudden drop in outdoor air temperatures.** As your home is continually being replenished with fresh air a sudden drop of 10 degrees will greatly affect humidity levels.
2. **Water supply temperatures.** Temperature of the water will greatly affect the output of the humidifier, normal residential water temperature is anywhere between 55 & 65°F, in the winter these temperature can go as low as 42 to 50°F and the colder and deeper into the winter the situation will worsen. We do not recommend using hot water to supply the humidifier due to cost you can try some method to warm the water before getting to the humidifier. Some people have purchased an extra long water supply tube, coiling up the extra length in a warm space to allow the water temperature to increase before reaching the solenoid valve.
3. **Extreme cold.** Most IAQ specialist now agree that trying to maintain a humidity level above 30% when outdoor air temperatures are below -20 degrees risk causing condensation damage to the home. While you may want to maintain the humidity level at 40% for your hardwood flooring you cannot control where this moisture is going and more often than not it is going in places you cannot see, behind walls, crawl spaces and hidden attic spaces.

#### INTERNAL FACTORS WHICH AFFECT HUMIDITY LEVELS.

1. **Furnace cycle times and length of cycle times.** In order to evaporate water off the pad all bypass type evaporative humidifier require hot air to maximize output. The less time the furnace runs the less output the humidifier will have.
2. **Airflow through the humidifier.** Humidifier output is based an air velocity of 500 fpm, if the bypass collar is blocked by AC A frame or if the bypass ducting is longer than normal with elbows this will affect airflow. Sometimes the layout of the duct work causes dead spaces where airflow is very low, if your bypass duct is located in this area airflow will be affected.
3. **Residential air changes.** The amount of fresh air brought into a home, use of ventilation equipment such as HRV's can take up a large percentage of the humidifier's capacity. Rather than building up humidity levels the humidifier is working to humidify incoming fresh air.
4. **Heating system controls.** Most modern homes use some sort of electronic thermostat offering temperature setbacks during the evening hours, as the humidifier will operate only when the furnace is operating in heating mode the humidity levels will drop.

## TROUBLE SHOOTING

### Too much water is flowing to the evaporator pad or to the drain.

Models 5000 and 6000 humidifiers incorporate an orifice fitting installed in the outlet of the solenoid valve. The purpose of this fitting is to meter the amount of water flowing to the evaporator pad, this ensures water does not blow off the evaporator pad into the furnace. This orifice fitting can wear out and enlarge over time allowing more water than normal to flow. Refer to the earlier section about checking the orifice fitting and inlet water filter for instructions on accessing the orifice, replace the orifice fitting refer to the parts list to find the proper part number.

## MAINTENANCE

### Changing the Evaporator Pad (Figure10).

Replace the evaporator pad at least once a year, more depending on the condition of your water. Replacement evaporator pad for Models 5000 and 6000 is RF5000 these are available at retail locations and through our parts supplier.

1. Unplug the humidifier, remove the front cover (thumb screw secures it in place)
2. Remove the water tube from the water distribution tray (it is press fit in place). Remove the evaporator pad assembly from the humidifier, lift the frame up to release it from hooks in the back.
3. With the frame removed from the humidifier you can disassemble the water distribution tray from the frame, hooks on the distribution tray fit into slots on the frame, gently deflect the frame to release the hooks.
4. Remove and discard old evaporator pad, install the new evaporator pad with the black mark on the evaporator pad at the top.
5. Reassemble the components, install the frame back into the humidifier, put the humidifier cover back on and plug the humidifier back in.

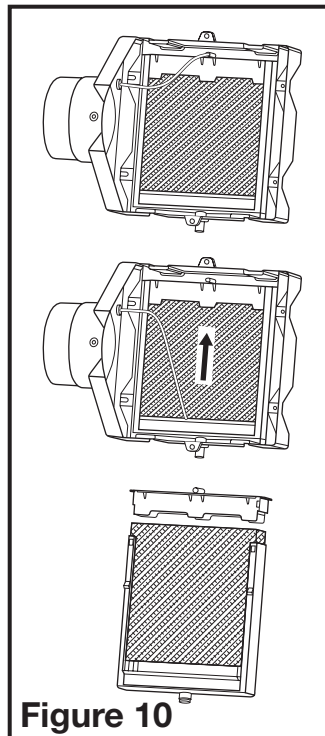


Figure 10

## MAINTENANCE

### Changing the solenoid valve (Figure11).

Replace the solenoid valve when needed. Replacement solenoid valve for Models 5000 and 6000 is SV5000, this assembly comes complete with the solenoid valve, inlet water filter, orifice fitting and required compression fittings. These kits are available at retail locations and through our parts supplier.

1. Unplug the humidifier, turn off the water supply to the humidifier.
2. Using an adjustable wrench loosen the water supply tube from the solenoid valve (save the fittings at the end of water supply tube and reuse them).
3. Remove the two solenoid valve wires from the two terminals marked 24 VAC OUT on the humidifier's side panel.
4. Remove the two screws which secure the solenoid valve on the humidifier's side panel (save the screws and rubber washers under the solenoid bracket and reuse them).
5. Remove and discard old solenoid valve.
6. Prepare the new valve for installation, if it is not already assembled attach the tubing to the outlet of the valve, prepare the tubing as per figure below, make sure you sand the end of the tube the orifice is being inserted into.
7. Install the new solenoid valve, connect the wires to the two terminals marked 24 VAC OUT on the humidifier's side panel. Reattach the water supply tube, turn the water supply back on and plug the transformer in.
8. Check for and repair any leaks.

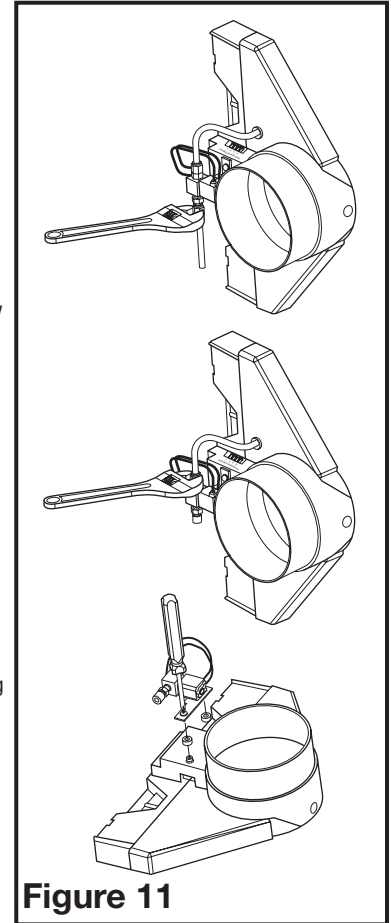
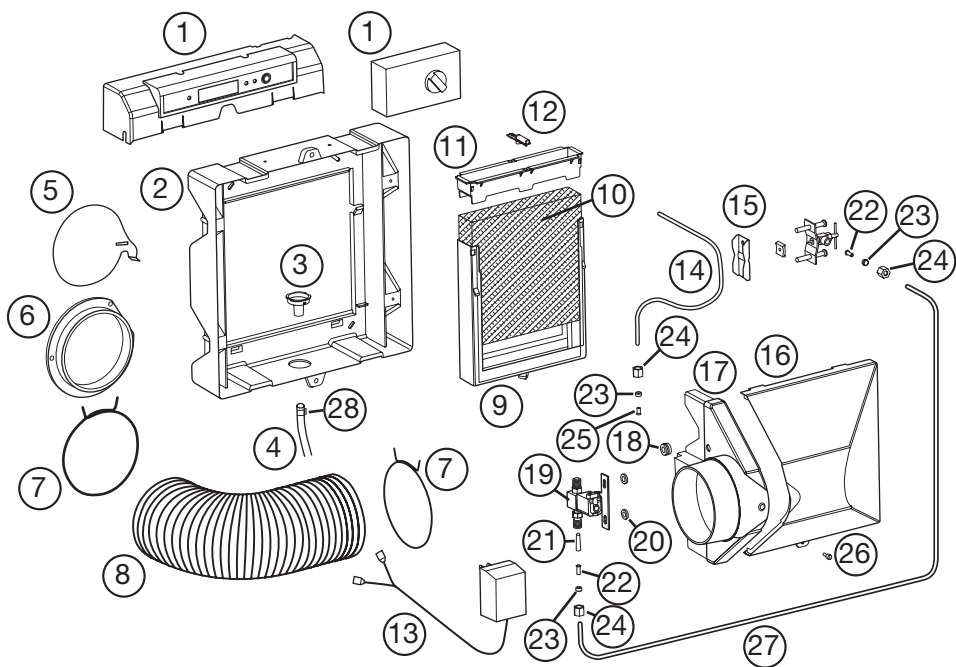


Figure 11

# REPLACEMENT PARTS DIAGRAM

**Optional Parts Sold Separately.**



Item	Description	QTY	Warranty	Part Number
1	Digital Humidistat - Model 6000	1	3 year	011138001
1	Mechanical Humidistat - Model 5000	1	3 year	04A000806
2	Flow Through Body	1	3 year	010908002
3	Drain Insert	1	3 year	010912000
4*	Drain Hose 0.375" ID x 0.5" OD x 15 ft	1	3 year	010930002
5	Bypass Damper	1	3 year	01A170930
6	Bypass Collar	1	3 year	01A172107
7	6" Spring Clamp	2	3 year	010938000
8	Aluminum Flex Duct 6" x 30"	1	3 year	010917000
9	Filter Holder	1	3 year	010910002
10	Evaporator Pad	1	n/a	RF5000 / 010918002
11	Water Distribution Tray	1	3 year	010911002
12	Nozzle	1	3 year	011120001
13	120 Volt/24 Volt Plug In Transformer	1	3 year	PT5000 / 010916001
14*	Polytube 0.25"OD x 0.170"ID x 20"	1	3 year	010933001
15*	Needle Valve Assembly	1	3 year	OPB132055
16	Flow Through Cover	1	3 year	010907001
17	Side Panel Ass'y (Includes Control)	1	3 year	RSP5-6K
18	Grommet	1	3 year	910283003
19	Solenoid Valve Ass'y (14, 19, 21, 22, 23, 24, 25)	1	3 year	SV5000
20*	Rubber Washer	2	3 year	010283004
21	Inlet Water Filter	1	n/a	IL5000 / 010937000
22*	Brass Insert 1/4" - Standard Compression fitting	2	3 year	01A930041
23*	Nylon Sleeve 1/4" - Standard Compression fitting	3	3 year	010926001
24*	Brass Nut 1/4" - Standard Compression fitting	3	3 year	010932000
25	Orifice Fitting	1	n/a	010927002/010927003
26	10-32 Plastic Thumb Screw	1	3 year	019001067
27*	Polytube 0.25" OD x 0.17" ID x 10 ft	1	3 year	01A930040
28*	Hose Clamp	1	3 year	010931000

**OPTIONAL PARTS - SOLD SEPARATELY**

Item	Description	PN	Function
A	120 VOLT/ 24 VOLT HARDWIRE TX	04A000200	Model 5000 Only - Hardwire Installations
B	Packard 24 VAC NO Relay	PR380	Model 5000 & 6000 - Electronic Thermostat
C	Packard Pressure Switch	PS221	Model 5000 & 6000 - Humidisense Bypass
D	Remote humidity Sensor	010266001	Model 6000 - Remote Sensor
E	Electronic Digital Humidistat	EDH5-6K	Model 5000 & 6000 - Humidistat Upgrade

\*Indicates standard parts available at most hardware stores.

Most parts are available through our parts supplier, otherwise complete an internet search using the description and part number.

**Warranty Replacement**

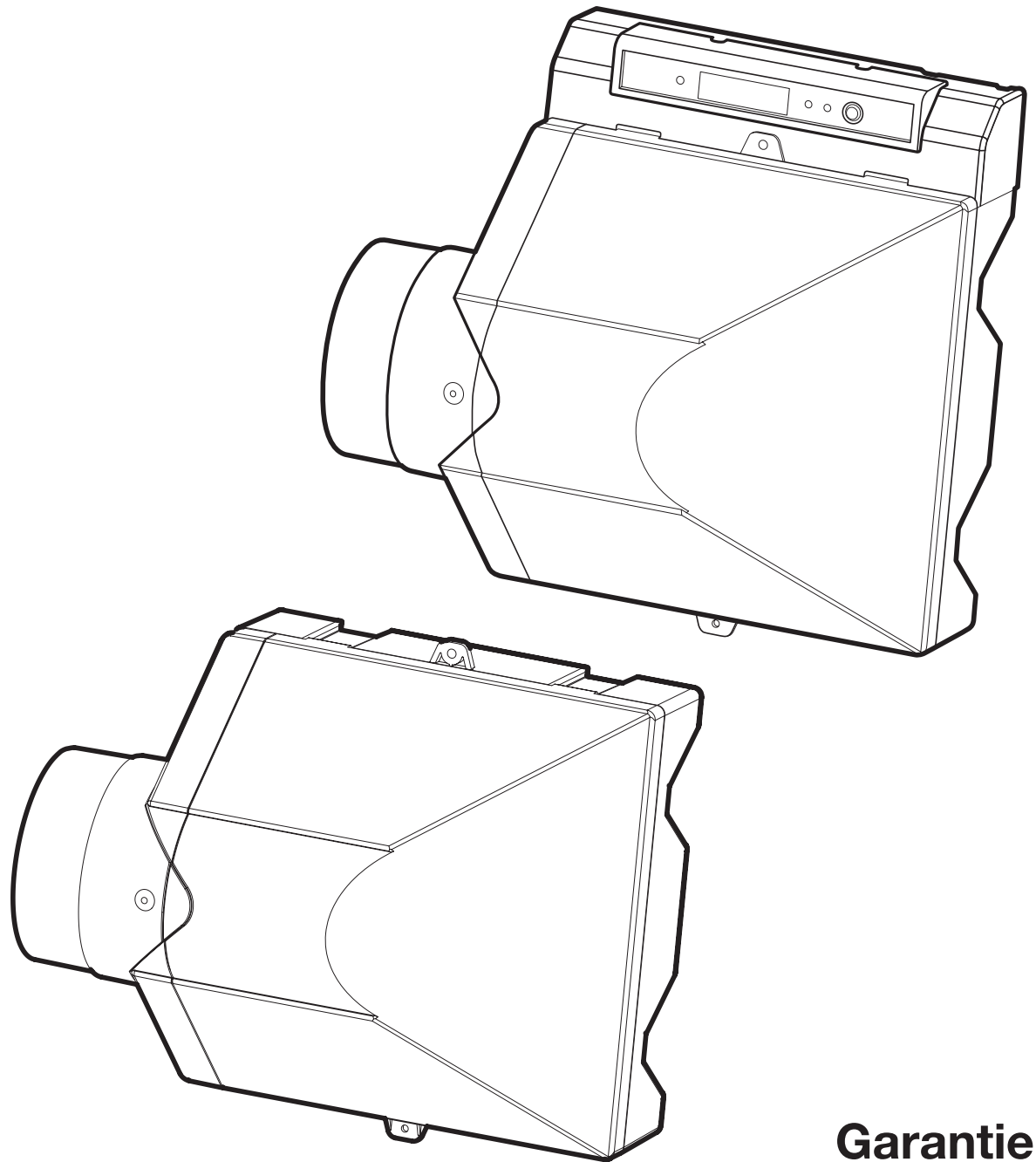
Call: 1-800-465-7300

Email: service2@airkinglimited.com

À DÉBIT CONTINU

# HUMIDIFICATEUR

*Modèles 5000/6000*



**Garantie  
Entretien  
Guide de Dépannage**

# GARANTIE LIMITÉE

**QUE COUVRE CETTE GARANTIE :** Ce produit est garanti contre tout vice de fabrication ou de matière.

**COMBIEN DE TEMPS CETTE GARANTIE DURE :** Cette garantie se rapporte seulement à l'acheteur original du produit et dure pendant trois (3) années de la date de l'achat original ou jusqu'à ce que l'acheteur original du produit vend ou transfère le produit, celui qui se produit en premier.

**QUE FERA AIR KING :** Air King, à son choix, réparera ou remplacera n'importe quelle partie ou pièces qui s'avèrent défectueuses ou remplacera le produit entier par le même modèle ou un modèle comparable. Pour toutes les demandes de garantie, le produit doit être retourné à Air King aux frais du client avec une preuve d'achat pendant la période de garantie. Contactez le service à la clientèle d'Air King pour obtenir une autorisation de retour («AR»). NE PAS renvoyer des produits sans AR ou la demande de garantie ne sera pas traitée.

**CE QUE CETTE GARANTIE NE COUVRE PAS :** Cette garantie ne s'applique pas si le produit était endommagé ou arrêté de fonctionner en raison d'un accident, d'une mauvaise manipulation, l'installation ou opération, de dommages d'expédition, d'abus, de mauvaise utilisation, de réparation faite ou tentées non autorisées. Cette garantie ne couvre pas les coûts d'expédition pour le retour des produits à Air King pour la réparation ou le remplacement. Air King payera les frais d'expédition de retour de Air King après les réparations ou le remplacement de garantie.

**TOUTES LES GARANTIES, EXPRESSES OU TACITES (COMPRENANT, SANS LIMITATION, TOUTE GARANTIE TACITE DE VALEUR MARCHANDE), DURENT UN AN DE LA DATE DE L'ACHAT ORIGINAL OU JUSQU'À CE QUE L'ACHETEUR ORIGINAL DU PRODUIT VEND OU TRANSFÈRE LE PRODUIT, CELUI QUI SE PRODUIT EN PREMIER ET DANS AUCUN CAS AIR KING N'ASSUME AUCUNE RESPONSABILITÉ EXPRESSE OU TACITE POUR (I) DES DOMMAGES ACCIDENTELS OU INDIRECTS DE N'IMPORTE QUELLE CAUSE, OU (II) LE REMPLACEMENT OU LA RÉPARATION DE TOUS FUSIBLES, DISJONCTEURS OU RÉCEPTACLES DE MAISON. MALGRÉ N'IMPORTE QUOI À L'EFFET CONTRAIRE, DANS AUCUN CAS LA RESPONSABILITÉ D'AIR KING, SOUS UNE GARANTIE EXPRESSE OU TACITE, NE DÉPASSERA LE PRIX D'ACHAT DU PRODUIT ET UNE TELLE RESPONSABILITÉ SE TERMINERA AVEC L'EXPIRATION DE LA PÉRIODE DE GARANTIE. CETTE GARANTIE NE COUVRE PAS TOUS LES FRAIS DE MAIN-D'ŒUVRE, D'EXPÉDITION NI LE COÛT DE REMPLACEMENT DES COMPOSANTES DANS LE CADRE D'UN ENTRETIEN DE ROUTINE (TELS QUE DES TAMPONS D'ÉVAPORATEUR D'HUMIDIFICATEUR À CIRCULATION DIRECTE, LES FILTRES D'EAU D'ENTRÉE OU LES RACCORDS À ORIFICE).**

Certains états et provinces ne permettent pas les limitations de la période de garantie, ou l'exclusion ou la restriction des dommages accidentels ou indirects, et, par conséquent, les présentes restrictions ne peuvent pas s'appliquer. La présente garantie vous donne des droits légaux spécifiques et peut-être certains autres droits qui peuvent varier selon la province. La preuve d'achat est exigée avant qu'une réclamation de garantie ne soit acceptée.

## SERVICE À LA CLIENTÈLE :

Sans frais (800) 465-7300

Notre équipe de service à la clientèle est disponible pour vous aider avec des questions sur le produit, les adresses des centres de service, et les pièces de rechange. Vous pouvez la rejoindre, du lundi au vendredi, de 8h:00 à 16h:00 HNE.

Veuillez avoir le numéro du modèle disponible, ainsi que le genre et le style (qui se trouvent sur l'étiquette à l'intérieur de votre produit). Veuillez ne pas renvoyer le produit à l'endroit de l'achat.

CONSERVEZ CE DOCUMENT ET JOIGNEZ-LE À VOTRE REÇU.

Date d'achat

Date d'installation

Lieu d'achat

N° de marque et modèle

Pour la garantie de remplacement et/ou le support technique, envoyez une copie de votre preuve d'achat à [service2@airkinglimited.com](mailto:service2@airkinglimited.com) avec votre nom, adresse, numéro de téléphone et une brève description du problème. Pour nous aider à vous servir, inclure des images pour identifier les composants ou les problèmes d'installation.

## LUMIÈRES DE FONCTIONNEMENT

**Voyant humidisense LED vert:** modèle 5000 et 6000: cela indique que le contrôle humidisense a détecté le débit d'air et l'élévation de température requis et l'humidistat demande l'humidité. L'eau devrait couler si la LED est allumée. L'eau ne devrait pas couler si cette lumière est éteinte (Figure 1A).

**Alimentation principale LED:** modèle 6000 seulement. Cela indique que l'alimentation du panneau supérieur numérique est activée (Figure 1B).

**Alimentation de bord LED:** modèles 5000 et 6000, cela indique que 24 volts est présent aux deux bornes 24 VAC IN (Figure 1C).

## DÉPANNAGE

L'humidificateur ne s'allume pas lorsque la fournaise chauffe ou le cyclage n'est pas constant avec les cycles de chauffage de la fournaise. La fournaise est en marche, l'alimentation est connectée, l'humidistat est allumé (l'alimentation de bord LED est allumée) mais le voyant humidisense LED vert ne s'allume pas et l'eau ne coule pas.

Ceci indique que la fournaise ne fournit pas le flux d'air ou l'élévation de température requis pour activer l'humidificateur. Vous pouvez effectuer un test rapide pour vous assurer que les composants et l'électronique de l'humidificateur fonctionnent.

Localisez les bornes de dérivation Humidisense sur le panneau latéral de l'humidificateur (Figure 2A) et installez un fil de raccordement sur les bornes de dérivation n° 3 et n° 4 (Figure 2B). Allumez tous les commutateurs DIP (Figure 2C) et réglez l'humidistat au réglage le plus élevé. L'humidificateur doit s'allumer, la LED humidisense verte devrait s'allumer et l'eau s'écoulera.

- Si le voyant vert ne s'allume pas et l'eau ne coule pas pendant le test, il y a un problème avec le transformateur, l'humidistat ou le contrôle humidisense. Contactez-nous pour une garantie et / ou une assistance technique.
- Si le voyant vert s'allume, mais l'eau ne coule pas pendant ce test, il y a un problème avec l'alimentation en eau. L'électrovanne ou le raccord à orifice est bloqué. Assurez-vous que l'alimentation en eau est allumée, vérifiez le raccord à orifice et le filtre à eau d'entrée pour essayer d'enlever tout blocage. Si l'eau ne coule toujours pas, contactez-nous pour une garantie et / ou une assistance technique.
- Si la LED verte s'allume et l'eau coule pendant ce test, vous devez compléter l'une des installations de dérivation Humidisense (voir la section suivante).

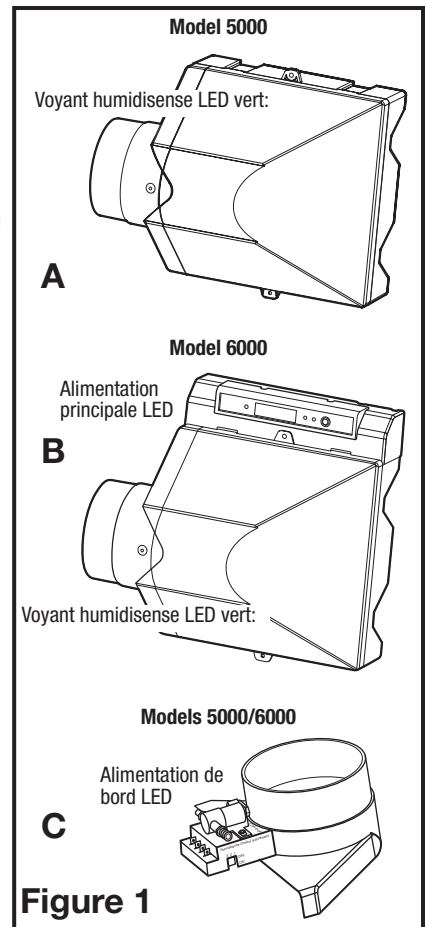


Figure 1

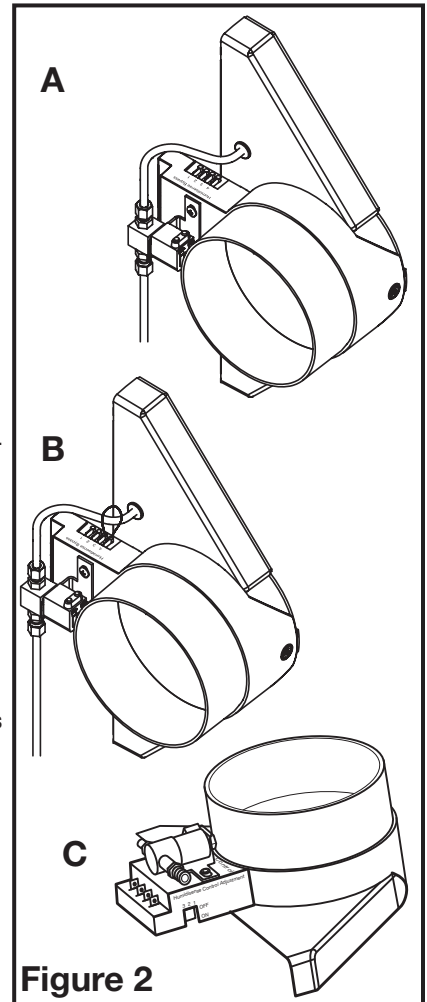
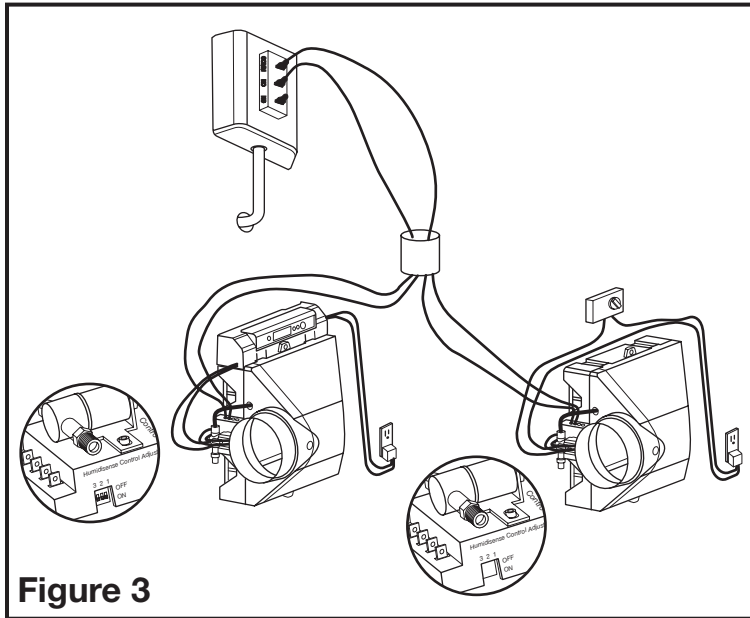


Figure 2



## INSTALLATION DE LA DÉRIVATION HUMIDISENSE

**INTERRUPTEUR EXTERNE - INTERRUPTEUR DE PRESSION D'AIR** (Cycle l'humidificateur chaque fois que le ventilateur de la fournaise fonctionne et l'humidistat demande l'humidité) (**Figure 3**).



**Figure 3**

Ce dont vous aurez besoin (vendu séparément):

1. Interrupteur de pression PS221 (ou tout interrupteur de pression différentielle).
2. Deux fils conducteurs de thermostat en cuivre solide de calibre 18 au maximum (disponible dans la plupart des quincailleries).
3. Deux connecteurs électriques femelles de 1/4 po (disponibles dans la plupart des quincailleries).
4. Montez l'interrupteur de pression sur le conduit d'air chaud en perçant un petit trou près du pressostat (assez grand pour le tube de prélèvement d'air). Fixez une extrémité du tube de prélèvement d'air au port de pression positif sur l'interrupteur de pression et insérez l'autre extrémité dans le conduit à travers le trou foré plus tôt.
5. À l'aide des deux connecteurs électriques de 1/4 po et du fil du thermostat, raccordez les bornes de l'interrupteur de pression «commune» et «normalement ouverte» aux bornes N° 3 et N° 4 de la dérivation de l'Humidiseuse.
6. Changez tous les commutateurs DIP de l'humidificateur en position ON.

## INSTALLATION DE LA DÉRIVATION HUMIDISENSE

**Connexion de l'Humidificateur au thermostat électronique existant** (**Figure 4**). Cela permet au thermostat électronique existant de contrôler les cycles de l'humidificateur.

Ce dont vous aurez besoin (vendu séparément):

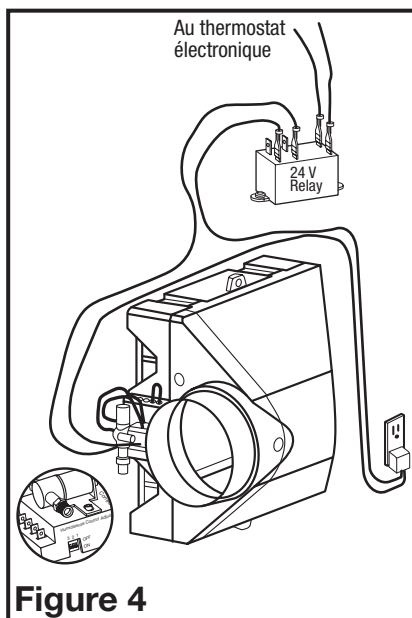
1. Relais 24 VAC NO, Packard PR380 (ou tout relais 24 VAC NO).
2. Deux fils conducteurs de thermostat en cuivre solide de calibre 18 au maximum (disponible dans la plupart des quincailleries).
3. Quatre connecteurs électriques femelles de 1/4 po (disponibles dans la plupart des quincailleries).

### INSTALLATION DES RELAIS

1. Confirmez que votre thermostat électronique est capable de contrôler un humidificateur central et qu'il dispose des deux connexions nécessaires pour la régulation de l'humidité (confirmez avec le fabricant du thermostat).
2. Retirez l'humidistat existant de l'humidificateur.

**Modèle 5000:** enlevez les deux fils installés sur les bornes de l'humidistat.

**Modèle 6000:** Débranchez les deux fils noirs de transformateur du panneau supérieur et débranchez les deux fils rouges du panneau supérieur sur le panneau latéral de l'humidificateur.



**Figure 4**

3. Montez le relais 24 VCA près de l'humidificateur.

4. Connectez l'humidificateur au relais 24 VCA.

**Modèle 5000:** connectez les deux fils retirés de l'humidistat à l'étape 2 aux bornes «commune» et «normalement ouverte».

**Modèle 6000:** Connectez les deux fils de raccordement du transformateur aux bornes du panneau latéral de l'humidificateur 24 VAC IN. Au relais, séparez les fils de raccordement du transformateur. En vous référant à la Figure 4, coupez l'un des fils, dénudez les extrémités et en utilisant les bornes électriques de 1/4 po connectez aux bornes «commune» et «normalement ouverte».

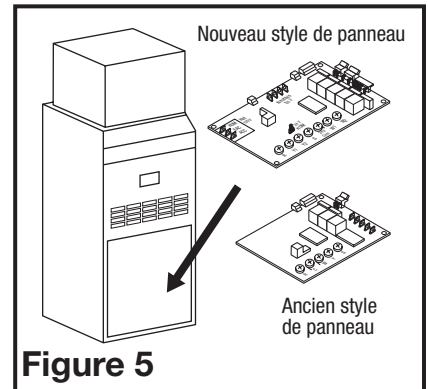
5. À l'aide de deux connecteurs électriques de 1/4 po, reliez les bornes de la bobine du relais 24 VCA aux bornes de contrôle de l'humidité du thermostat électronique.
6. À l'humidificateur, changez tous les commutateurs DIP à la position « marche » et installez un câble de jonction sur les bornes de dérivation humidiseuse N° 3 et N° 4.

## INSTALLATION DE LA DÉRIVATION HUMIDISENSE

**Verrouillage du thermostat 24 VCA** (fait cycliser l'humidificateur chaque fois que la fournaise est en mode de chauffage et l'humidistat demande l'humidité) (**Figures 5 et 6**).

Ce dont vous aurez besoin (vendu séparément):

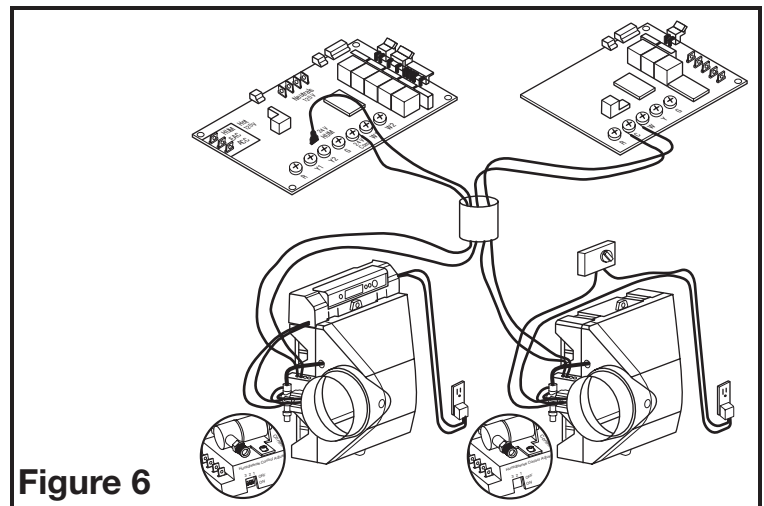
2. Deux fils conducteurs de thermostat en cuivre solide de calibre 18 au maximum (disponible dans la plupart des quincailleries).
3. Deux connecteurs électriques femelles de 1/4 po (disponibles dans la plupart des quincailleries).



**Figure 5**

### INSTALLATION DU VERROUILLAGE 24 VAC

1. Consultez le manuel d'installation de votre fournaise et ou HVAC professionnelle. Localisez le panneau de contrôle de la fournaise qui se trouve normalement dans la partie inférieure de la fournaise près du souffleur de la fournaise.

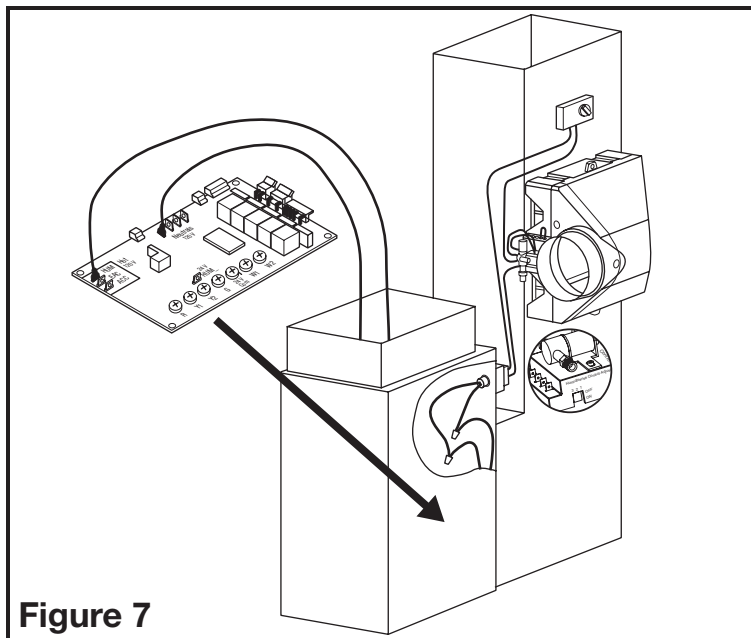


**Figure 6**

2. Identifiez les bornes de 24 volts qui seront alimentées lorsque la fournaise chauffe.
3. Sur les anciens panneaux, il y aura un ensemble de bornes utilisées pour connecter au thermostat central, ces terminaux sont généralement marqués R, C, W, Y, G. Sur ce type de panneau, utilisez les bornes marquées C (ou Com) et W (ou W1).
4. Sur les panneaux les plus récents, il existe un terminal humidificateur 24 volts spécialisé HUM ou 24V HUM. Sur ce type de panneau, utilisez les bornes 24 V Com & 24 V HUM.
5. Si vous n'êtes pas certain, consultez les instructions d'installation de votre fournaise ou un HVAC professionnelle.
6. Une fois que vous avez identifié les bornes appropriées, utilisez le fil du thermostat de calibre 18 pour établir la connexion entre le panneau de contrôle de la fournaise et les bornes de dérivation humidiseuse N° 1 et N° 2.
7. Changez tous les commutateurs DIP à la position « marche ».
8. L'humidificateur va maintenant cycliser chaque fois que le relais de chauffage de la fournaise est alimenté et que l'humidistat demande l'humidité.

## INSTALLATION DE LA DÉRIVATION HUMIDISENSE

**Installation câblée.** Méthode traditionnelle (**Figure 7**) (Modèle 5000 SEULEMENT, faites pivoter l'humidificateur chaque fois que la fournaise chauffe et que l'humidistat demande l'humidité).



**Figure 7**

Ce dont vous aurez besoin (vendu séparément):

1. Transformateur 24w de connexion (ou autre transformateur de 120 volts / 24 volts).
2. Fil de calibre 18 blanc et noir TEW (environ 2 pieds).
3. Deux connecteurs électriques femelles de 1/4 po (disponibles dans la plupart des quincailleries).
4. Connecteurs et ruban électrique.

#### INSTALLATION DU TRANSFORMATEUR DE CONNEXION

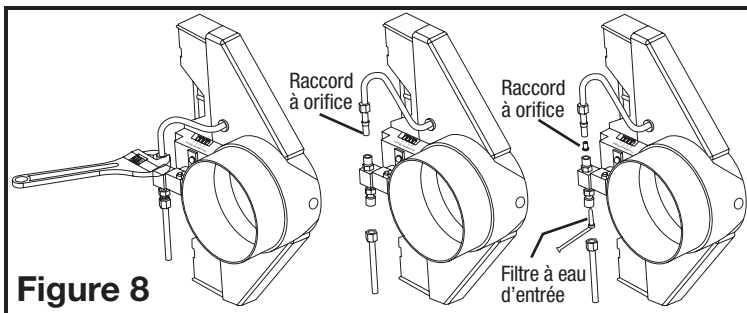
1. Consultez le manuel d'installation de votre fournaise et ou HVAC professionnelle. Localisez le panneau de contrôle de la fournaise qui se trouve normalement dans la partie inférieure de la fournaise près du souffleur de la fournaise.
2. Identifiez les bornes accessoires de la fournaise. Il y aura un ensemble de terminaux marqués «NEUTRES» et un autre ensemble marqué CHAUD, HUM, EAC.
3. Si vous n'êtes pas certain, consultez les instructions d'installation de votre fournaise ou un HVAC professionnelle.
4. Récupérez le transformateur à fil, au bas de la fournaise, localisez un knock-out électrique non utilisé, retirez le knock-out et installez et sécurisez le transformateur au niveau du knock-out. Fixez le transformateur afin que les bornes à basse tension de 24 volts soient situées à l'extérieur de la fournaise.
5. En utilisant le fil noir et blanc TEW de calibre 18 et les bornes électriques de ¼ po connectez le fil blanc à l'une des bornes « NEUTRE » du panneau de la fournaise. Ensuite, connectez le fil noir à la borne HUM de 120 volts sur le panneau de la fournaise.
6. En utilisant les connecteurs et le ruban électrique, connectez les fils blanc et noir installés à l'étape 5 aux deux fils du transformateur, fixez les connecteurs de fil avec le ruban électrique.
7. À l'humidificateur, votre installation doit être conforme aux instructions d'installation avec le transformateur de connexion câblé aux deux bornes marquées 24 VAC IN sur le panneau latéral de l'humidificateur avec l'humidistat câblé dans l'un des fils du transformateur.
8. Récupérez le fil de raccordement du transformateur et coupez le fil au corps du transformateur. Séparez les fils et dénudez les extrémités du fil. Attachez les extrémités de ce fil aux bornes de 24 volts du transformateur câblé installé aux étapes 5 et 6 ci-dessus.
9. À l'humidificateur, changez tous les commutateurs DIP à la position MARCHE et installez un fil de raccordement sur les bornes de dérivation humidisense N° 3 et N° 4.

#### DÉPANNAGE

**L'humidificateur semble fonctionner correctement, le voyant humidisense vert s'allume lorsque la fournaise chauffe et l'humidistat demande l'humidité, mais l'eau ne s'écoule ou très peu d'eau s'écoule.**

Cela indique qu'il y a un problème avec l'approvisionnement en eau ou qu'il existe une sorte de blocage dans le raccord à orifice, le filtre d'entrée d'eau ou l'électrovanne. Suivez les instructions ci-dessous pour vérifier l'alimentation en eau et inspecter le raccord à orifice et le filtre d'entrée d'eau et éliminer tout blocage.

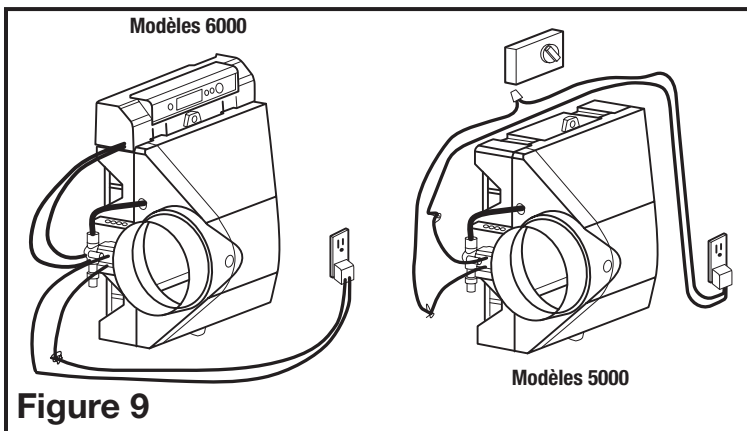
**Vérification de l'approvisionnement en eau, du raccord à orifice et du filtre d'entrée d'eau (Figure 8).**



**Figure 8**

1. Fermez la vanne à pointe auto-percée installée sur le tuyau d'eau froide. En utilisant une clé à molette, retirez la connexion d'alimentation en eau de l'entrée de l'électrovanne.
2. À l'aide d'un seau pour recueillir l'eau du tube d'alimentation, ouvrez la vanne à pointe auto-percée et confirmez que l'eau coule du tube d'alimentation en eau. Si l'eau ne coule pas avec la valve auto-percée ouverte, vérifiez votre installation de la vanne à pointage auto-percée et corrigez pour que l'eau coule. Si l'eau coule de l'alimentation en eau, passez à l'étape 3 ci-dessous pour vérifier le filtre et l'orifice d'entrée de l'eau.
3. Sur le panneau latéral de l'humidificateur, le tube d'alimentation en eau devrait déjà être retiré. Maintenant, à l'aide d'une clé à molette ajustable, retirez le tube qui passe de la sortie de l'électrovanne à l'évaporateur de l'humidificateur.
4. **VÉRIFICATION DU FILTRE D'ENTREE D'EAU**, Utilisez quelque chose de pointu comme un clou, pour atteindre l'entrée de l'électrovanne et retirer le filtre, vérifier et éliminer tout blocage.
5. **VÉRIFICATION DU RACCORD À ORIFICE**, L'orifice est inséré dans le tube qui a été installé sur la sortie de l'électrovanne. Il est pressé en place. Retirez l'orifice et inspectez-le. Il y a un très petit trou dans ce raccord, s'il est bloqué, essayez de le débloquent à l'aide d'une épingle ou par une autre méthode. **N'ÉLARGISSEZ PAS** ce trou, le but de l'orifice est de protéger contre l'eau soufflant de l'évaporateur dans la fournaise ainsi que pour limiter la quantité d'eau qui s'écoule vers le drainage. Si vous ne parvenez pas à dégager l'orifice, remplacez-le, consultez le diagramme des pièces pour le numéro de pièce.
6. Si, après avoir vérifié l'alimentation en eau, le filtre d'entrée d'eau et le raccord à orifice, il n'y a toujours pas d'alimentation en eau, l'électrovanne fonctionne mal.
7. Vérifiez que les deux électrovannes d'eau sont correctement connectées aux deux bornes marquées 24 VAC OUT sur le panneau latéral de l'humidificateur.
8. Si, après avoir vérifié l'alimentation en eau, le filtre d'entrée d'eau, le raccord à orifice et l'électrovanne, il n'y a toujours pas de débit d'eau, vous aurez besoin de remplacer l'assemblage de l'électrovanne, consultez le schéma des pièces pour le numéro de pièce.

**NOTE:** Avant de remplacer l'électrovanne qui est une pièce coûteuse, faites le test suivant pour vérifier que le problème n'est pas l'alimentation en tension du contrôle de l'humidité. Suivez les instructions ci-dessous.



**Figure 9**

**Test rapide de l'électrovanne (Figure 9).** Branchez le transformateur de raccordement directement à l'électrovanne pour voir si la vanne s'ouvre et laissez l'eau s'écouler.

1. Débranchez le transformateur.
2. **MODÈLE 5000:** Retirez l'humidistat du circuit, retirez les deux bornes du contrôle de l'humidistat et raccordez ces deux fils temporairement (sécurisez avec un ruban électrique). Sur le panneau latéral de l'humidificateur, retirez les deux fils des deux bornes marquées 24 VAC IN et retirez les deux fils de l'électrovanne des deux bornes marquées 24 VAC SORTIE. Connectez temporairement les fils du transformateur directement aux fils de l'électrovanne (utiliser un ruban adhésif pour sécuriser). Branchez le transformateur de nouveau, si l'eau ne coule toujours pas, vous devez remplacer l'électrovanne d'eau, si l'eau coule, vous avez besoin d'un nouvel humidistat, vérifiez la liste des pièces pour le numéro de pièce correct.

- MODÈLE 6000:** Retirez l'humidistat numérique du circuit, débranchez les deux fils de transformateur noirs du panneau supérieur. Sur le panneau latéral de l'humidificateur, retirez les fils de l'électrovanne des deux bornes marquées 24 VAC OUT. Connectez temporairement les fils du transformateur directement aux fils de l'électrovanne (utilisez un ruban adhésif pour sécuriser). Branchez le transformateur à nouveau, si l'eau ne coule toujours pas, vous devez remplacer l'électrovanne d'eau, si l'eau coule, vous avez besoin d'un nouveau panneau supérieur numérique, vérifiez la liste des pièces pour le numéro de pièce correct.

## DÉPANNAGE

**Pas assez d'humidité. L'humidificateur fonctionne correctement avec les cycles de chauffage de la fournaise, l'eau s'écoule, mais le niveau d'humidité ne augmente pas.**

Au Canada, les maisons construites depuis l'an 2000 sont conçues pour réduire l'humidité afin de protéger contre les dommages causés par la condensation, c'est à dire l'introduction d'air extérieur frais dans la maison, le plus souvent dans le conduit de retour du système de chauffage par air forcé. Si vous constatez régulièrement des lectures d'humidité insuffisantes après plusieurs semaines d'opération, considérez le déplacement de la commande d'humidité de son emplacement actuel. Sur le modèle 5000, vous pouvez essayer de localiser l'humidistat dans un autre endroit sur le conduit ou dans l'espace habitable. Sur le modèle 6000, vous pouvez acheter un capteur à distance avec 25 pieds de fil (PN 010266001) pour localiser le capteur ailleurs dans le conduit ou l'espace habitable. Un humidistat numérique électronique optionnel avec fonctionnement en mode manuel ou automatique à l'aide d'un capteur d'air extérieur est disponible pour les modèles 5000 ou 6000. Vous pouvez l'acheter via notre fournisseur de pièces PN EDH5-GK. Ce contrôle peut régler automatiquement les niveaux d'humidité en fonction des conditions extérieures et le contrôle peut être situé sur le conduit ou dans l'espace habitable.

### FACTEURS EXTERNES QUI AFFECTENT LES NIVEAUX D'HUMIDITÉ INTERNE.

- Baisse soudaine de la température de l'air extérieur.** Au fur et à mesure que votre maison est continuellement réapprovisionnée en air frais, une baisse soudaine de 10 degrés affectera fortement les niveaux d'humidité.
- Températures d'approvisionnement en eau.** La température de l'eau affectera grandement la production de l'humidificateur, la température normale de l'eau résidentielle est comprise entre 55 et 65° F. En hiver, cette température peut aller jusqu'à 42 à 50° C et la situation s'aggravera à mesure que l'hiver dure et devient plus froid. Nous ne recommandons pas d'utiliser de l'eau chaude pour fournir l'humidificateur en raison du coût, vous pouvez essayer une méthode pour réchauffer l'eau avant d'aller à l'humidificateur. Certaines personnes ont acheté un tube d'alimentation en eau extra long, enroulant la longueur supplémentaire dans un espace chaud pour hausser la température de l'eau avant d'atteindre l'électrovanne.
- Froid extrême.** La plupart des spécialistes de l'IAQ acceptent maintenant que d'essayer de maintenir un niveau d'humidité supérieur à 30% lorsque les températures de l'air extérieur sont inférieures à -20 degrés, risque d'entraîner des dommages de condensation à la maison. Bien que vous souhaitiez maintenir le niveau d'humidité à 40% pour votre plancher de bois franc, vous ne pouvez pas contrôler où se déplace l'humidité. Elle se déplace le plus souvent dans des endroits que vous ne pouvez pas voir, derrière les murs, le vide sanitaire et les espaces de grenier cachés.

### FACTEURS INTERNES QUI AFFECTENT LES NIVEAUX D'HUMIDITÉ.

- Temps de cyclage de la fournaise et durée des cycles.** Afin d'évaporer l'eau du pad, tout humidificateur de dérivation à type évaporatif requiert de l'air chaud pour maximiser la production. Moins de temps la fournaise fonctionne, moins de rendement aura l'humidificateur.
- Flux d'air à travers l'humidificateur.** La sortie de l'humidificateur est basée sur une vitesse d'air de 500 fpm, si le collier de dérivation est bloqué par un cadre AC A ou si le canal de dérivation est plus long que prévu avec des coudes, cela affectera le débit d'air. Parfois, la configuration du conduit provoque des vides sanitaires où le débit d'air est très faible. Si votre canal de dérivation est situé dans cette zone, le flux d'air sera affecté.
- Changements d'air résidentiels.** La quantité d'air frais apporté dans une maison, l'utilisation d'équipements de ventilation tels que les VRC peut prendre un pourcentage important de la capacité de l'humidificateur. Plutôt que de créer des niveaux d'humidité, l'humidificateur travaille à humidifier l'air frais entrant.
- Contrôles du système de chauffage.** La plupart des maisons modernes utilisent un sorte de thermostat électronique offrant des contraintes de température pendant les heures du soir, car l'humidificateur ne fonctionnera que lorsque la fournaise fonctionnera en mode chauffage, les niveaux d'humidité chuteront.

## DÉPANNAGE

**Trop d'eau s'écoule sur le tampon de l'évaporateur ou sur le drain.**

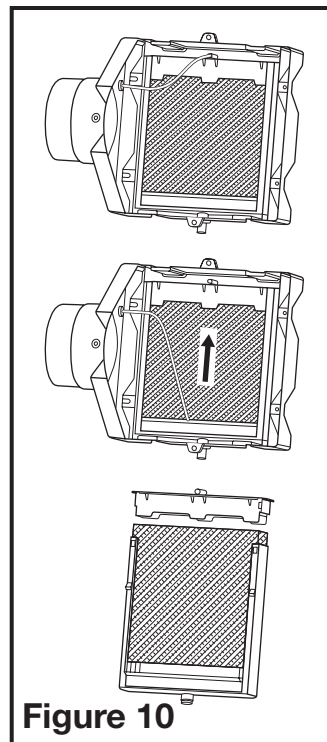
Les humidificateurs modèles 5000 et 6000 comprennent un raccord à orifice installé à la sortie de l'électrovanne. Le but de ce raccord est de mesurer la quantité d'eau qui s'écoule sur le tampon de l'évaporateur, ce qui garantit que l'eau ne souffle pas le tampon de l'évaporateur dans la fournaise. Ce raccord à orifice peut s'user et grandir au fil du temps, ce qui permet d'écouler plus d'eau que la normale. Reportez-vous à la section précédente sur la vérification du raccord à orifice et du filtre à eau d'entrée pour obtenir des instructions sur l'accès à l'orifice, remplacez le raccord à orifice, reportez-vous à la liste des pièces pour trouver le numéro de pièce approprié.

## ENTRETIEN

### Changement du tampon de l'évaporateur (Figure 10).

Remplacez le tampon de l'évaporateur au moins une fois par an, plus selon l'état de votre eau. Le tampon évaporateur de remplacement pour les modèles 5000 et 6000 est RF5000. Ils sont disponibles dans les magasins et à travers notre fournisseur de pièces.

- Débranchez l'humidificateur, retirez le capot avant (vis papillon pour fixer en place).
- Retirez le tube d'eau du bac de distribution d'eau (il est pressé en place). Retirez l'ensemble de l'évaporateur de l'humidificateur, soulevez le cadre pour le libérer des crochets à l'arrière.
- Avec le cadre retiré de l'humidificateur, vous pouvez démonter le bac de distribution d'eau du cadre. Les crochets, du plateau de distribution s'insèrent dans les fentes du cadre. Dévissez doucement le cadre pour libérer les crochets.
- Retirez et jetez l'ancien tampon d'évaporateur, installez le nouveau tampon d'évaporateur avec la marque noire sur le tampon d'évaporateur en haut.
- Réassemblez les composants, installez le cadre dans l'humidificateur, remettez le capot de l'humidificateur et rallumez l'humidificateur.



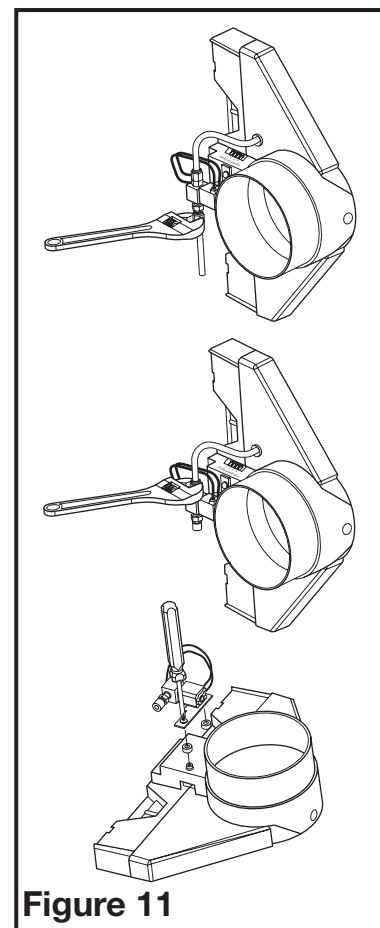
**Figure 10**

## ENTRETIEN

### Changement de l'électrovanne (Figure 11).

Remplacez l'électrovanne au besoin. L'électrovanne de remplacement pour les modèles 5000 et 6000 est SV5000, cet ensemble est livré avec l'électrovanne, le filtre à eau d'entrée, le raccord à orifice et les raccords de compression requis. Ces kits sont disponibles dans les magasins et à travers notre fournisseur de pièces.

- Débranchez l'humidificateur, éteignez l'alimentation en eau de l'humidificateur.
- À l'aide d'une clé à molette, desserrez le tube d'alimentation en eau de l'électrovanne (sauvegardez les raccords à la fin du tube d'alimentation en eau et réutilisez).
- Retirez les deux fils d'électrovanne des deux bornes marquées 24 VAC OUT sur le panneau latéral de l'humidificateur.
- Retirez les deux vis qui fixent l'électrovanne sur le panneau latéral de l'humidificateur (conservez les vis et les rondelles en caoutchouc sous le support de l'électrovanne et réutilisez-les).
- Retirez et jetez l'ancienne électrovanne.
- Préparez la nouvelle valve pour l'installation, si elle n'est pas déjà assemblée, fixez le tube à la sortie de la valve, préparez le tube selon la figure ci-dessous, assurez-vous de poncer l'extrémité du tube dans laquelle l'orifice est inséré.
- Installez la nouvelle électrovanne, connectez les fils aux deux bornes marquées 24 VAC OUT sur le panneau latéral de l'humidificateur. Rebranchez le tube d'alimentation en eau, rallumez l'alimentation en eau et branchez le transformateur.
- Vérifiez et réparez toute fuite.

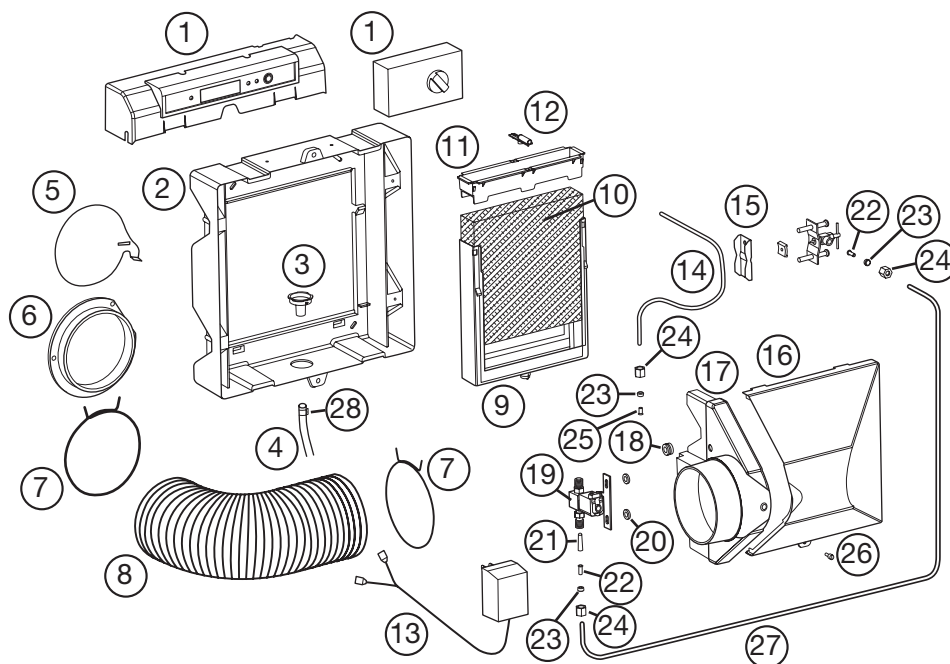
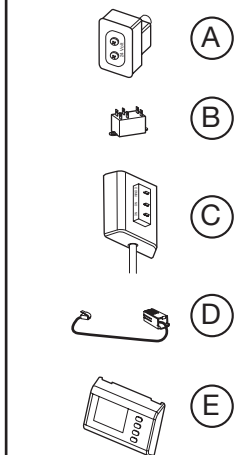


**Figure 11**



# DIAGRAMME DES PIÈCES DE REMPLACEMENT

## Pièces facultatives vendues séparément.



Article	Description	QTY	Garantie	Numéro d'article
1	Humidistat numérique - Modèle 6000	1	3 années	011138001
1	Humidistat mécanique - Modèle 5000	1	3 années	04A000806
2	Flux à travers le corps	1	3 années	010908002
3	Insert de drain	1	3 années	010912000
4*	Tuyau de vidange 0,375 "ID x 0,5" OD x 15 pieds	1	3 années	010930002
5	Clapet de dérivation	1	3 années	01A170930
6	Collier de dérivation	1	3 années	01A172107
7	Pince à ressort de 6 po	2	3 années	010938000
8	Aluminium Flex Duct 6 po x 30 po	1	3 années	010917000
9	Porte-filtre	1	3 années	010910002
10	Tampon d'évaporateur	1	-	RF5000 / 010918002
11	Bac à distribution d'eau	1	3 années	010911002
12	Embout	1	3 années	011120001
13	Transformateur enfichable 120 volts / 24 volts	1	3 années	PT5000 / 010916001
14*	Poly tube 0.25 po OD x 0.170 po 1D x 20 po	1	3 années	010933001
15*	Assemblage de vanne à pointeau	1	3 années	OPB132055
16	Flux à travers le recouvrement	1	3 années	010907001
17	Assemblage du panneau latéral (Comprend le contrôle)	1	3 années	RSP5-6K
18	Passe-câble	1	3 années	910283003
19	Assemblage de l'électrovanne (14, 19, 21, 22, 23, 24, 25)	1	3 années	SV5000
20*	Rondelle en caoutchouc	2	3 années	010283004
21	Filtre à eau d'entrée	1	-	IL5000 / 010937000
22*	Raccord en laiton ¼ po - Raccord de compression standard	2	3 années	01A930041
23*	Manche en nylon ¼ po	3	3 années	010926001
24*	Écrou en laiton ¼ po	3	3 années	010932000
25	Raccord à orifice	1	-	010927002/010927003
26	Vis à papillon en plastique 10-32	1	3 années	019001067
27*	Poly tube 0.25 po OD x 0.170 po 1D x 20 po	1	3 années	01A930040
28*	Collier de serrage	1	3 années	010931000

\* Indique les pièces standard disponibles dans la plupart des quincailleries.

La plupart des pièces sont disponibles via notre fournisseur de pièces, sinon complétez une recherche sur Internet en utilisant la description et le numéro de pièce.

### Remplacement de la garantie

Appel: 1-800-465-7300

Courriel: service2@airkinglimited.com

### PIÈCES FACULTATIVES VENDUES SÉPARÉMENT.

Article	Description	Numéro d'article	Fonction
A	CÂBLAGE TX 120 VOLT / 24 VOLT	04A000200	Modèle 5000 seulement - Installations du câblage
B	Relais Packard 24 VAC NO	PR380	Modèles 5000 et 6000 - Thermostat électronique
C	Interrupteur de pression Packard	PS221	Modèle 5000 et 6000 - La dérivation humidisense
D	Capteur d'humidité à distance	010266001	Modèle 6000 - Capteur à distance
E	Humidistat numérique électronique	EDH5-6K	Modèle 5000 et 6000 - Amélioration de l'humidistat